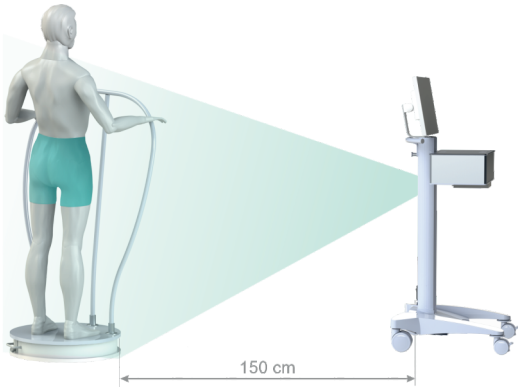
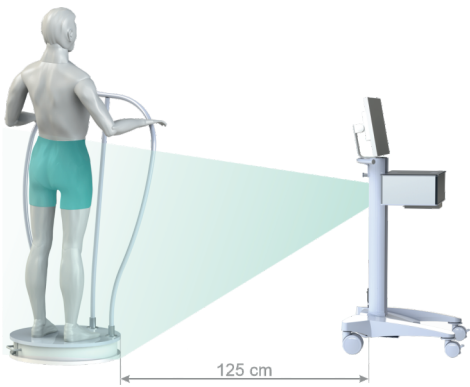


BodyLux®

CONTACTLESS · PRECISE · DIGITAL

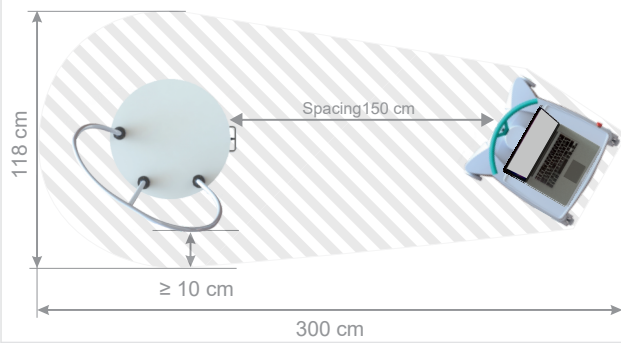
BodyLux® Technical Data

Operating conditions		
Temperature range	10 - 35 °C	
Humidity (non-condensing)	0 - 90 %	
Installation information		
Lighting conditions	Controllable (roller blinds, venetian blinds, etc.) and adequate room lighting by means of modern, highfrequency light sources	
Power consumption	Max. 180 W	
Power supply	110/230 V	
BodyLux® PC	BodyLux®	BodyLux® style
Computer	Dell Inspiron 14"	Mini-Desktop-PC Monitor 21"
Operating system	MS Windows® 11	MS Windows® 11
BodyLux® medical cart	BodyLux®	BodyLux® style
Dimensions (L x W x H)	57 x 58 x 114 cm	57 x 58 x 107 cm
Weight	21,5 kg	22,4 kg
	BodyLux® Model: kompakt	BodyLux® style Model: kompakt
Dimensions (L x W x H)	57 x 58 x 102 cm	57 x 58 x 97 cm
Weight	21,3 kg	21,5 kg
BodyLux® turntable	BodyLux® turntable	BodyLux® Bluetooth turntable
Dimensions (Diameter)	60 x 9 cm	60 x 9 cm
Weight	10,5 kg	10,7 kg
Load capacity	180 kg	180 kg
Maintenance		
Mechanical maintenance	Not necessary	
Service interval (operating time)	> 5 000 h	
Space requirement in operating condition		
<p>Full body measurement</p>  <p>150 cm</p>		<p>Partial body measurement</p>  <p>125 cm</p>

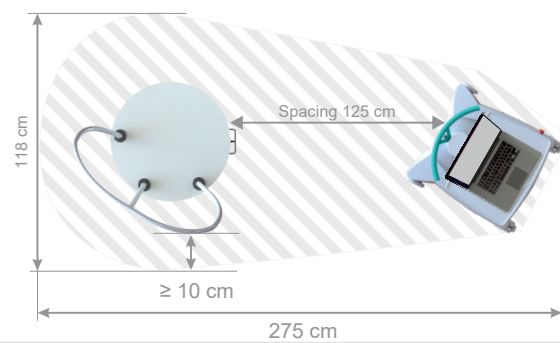


Space requirement in operating condition

BodyLux®



BodyLux® Model: kompakt



Space requirement for storage

BodyLux®



BodyLux® Model: kompakt

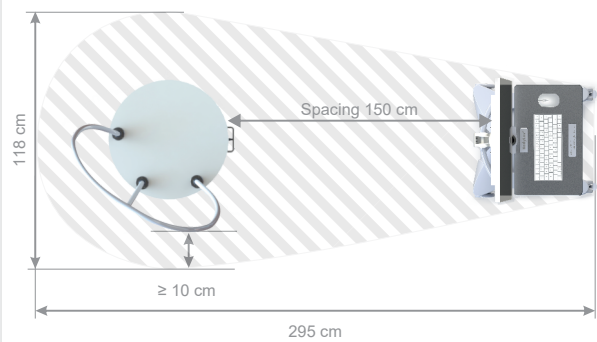


Pushed together

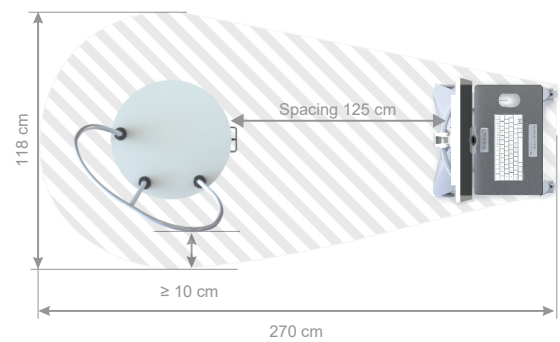


Space requirement in operating condition

BodyLux® style

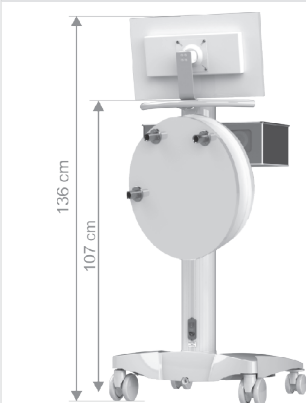


BodyLux® style Model: kompakt

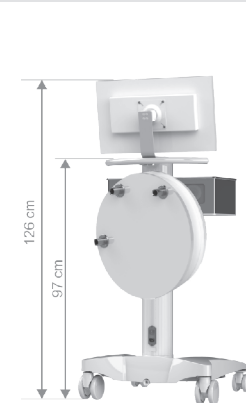


Space requirement for storage

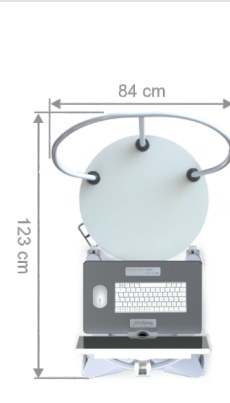
BodyLux® style



BodyLux® style Model: kompakt



Pushed together



Rev.-Nr.: Z-24-03-396

