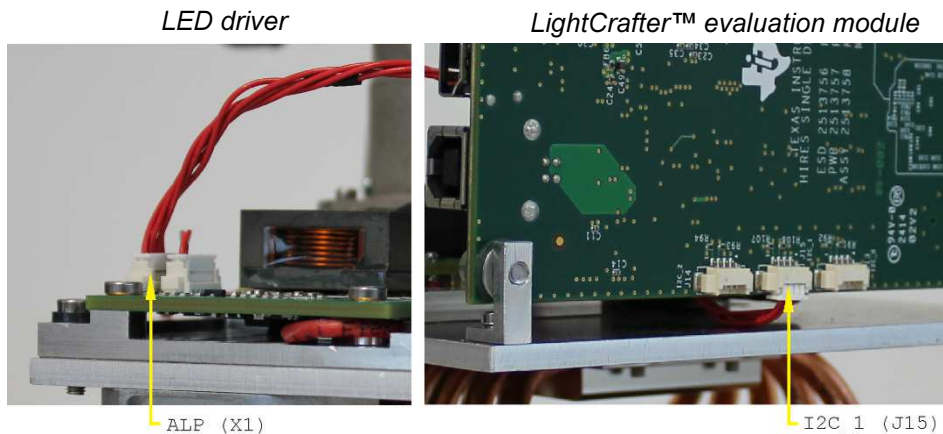


Start-up STAR-065 EVM Type A

Connecting

STAR-065 EVM is prepared for attaching the Texas Instruments DLP® LightCrafter™ 6500 evaluation module both mechanically and electrically. The only electrical connection is the I²C control cable included in the delivery. It connects the ALP (X1) connector of the LED driver with the I2C_1 (J15) connector on the main board of the LightCrafter™ evaluation module



Controlling LED Power

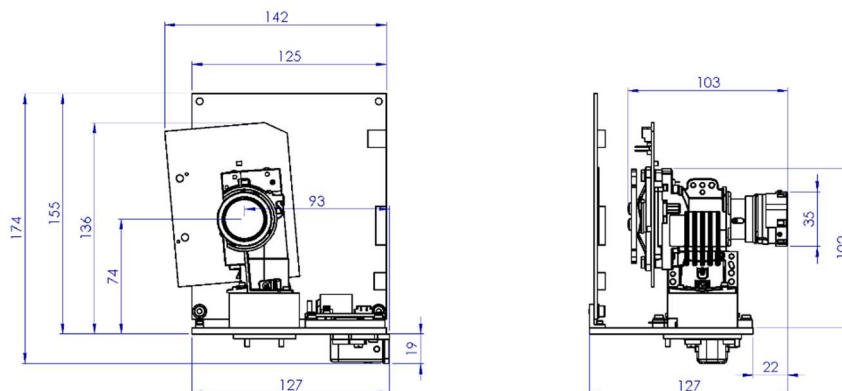
STAR-065 EVM LED power can be controlled using the LightCrafter™ evaluation module GUI. Corresponding Script Files are provided.

Please download from:

www.vialux.de/support/download/STAR-065_HLD_Scripts.zip

**Download
STAR-065**

Dimensions STAR-065 EVM Type A [mm] (with DLP® LightCrafter™6500 EVM)



Note: The cooler is not shown in the drawing.

